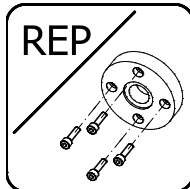


Gastronom 230V

GK900

Standmixer • Blender • Mixer de table



Dieses Dokument ist nicht für
Endkunden geeignet!

This document is not for
endusers!

Ce document ne convient pas
pour le clients!



Ersatzteilliste
Verdrahtungsplan

2+3**6****DE**

Spare parts list
Wiring diagram

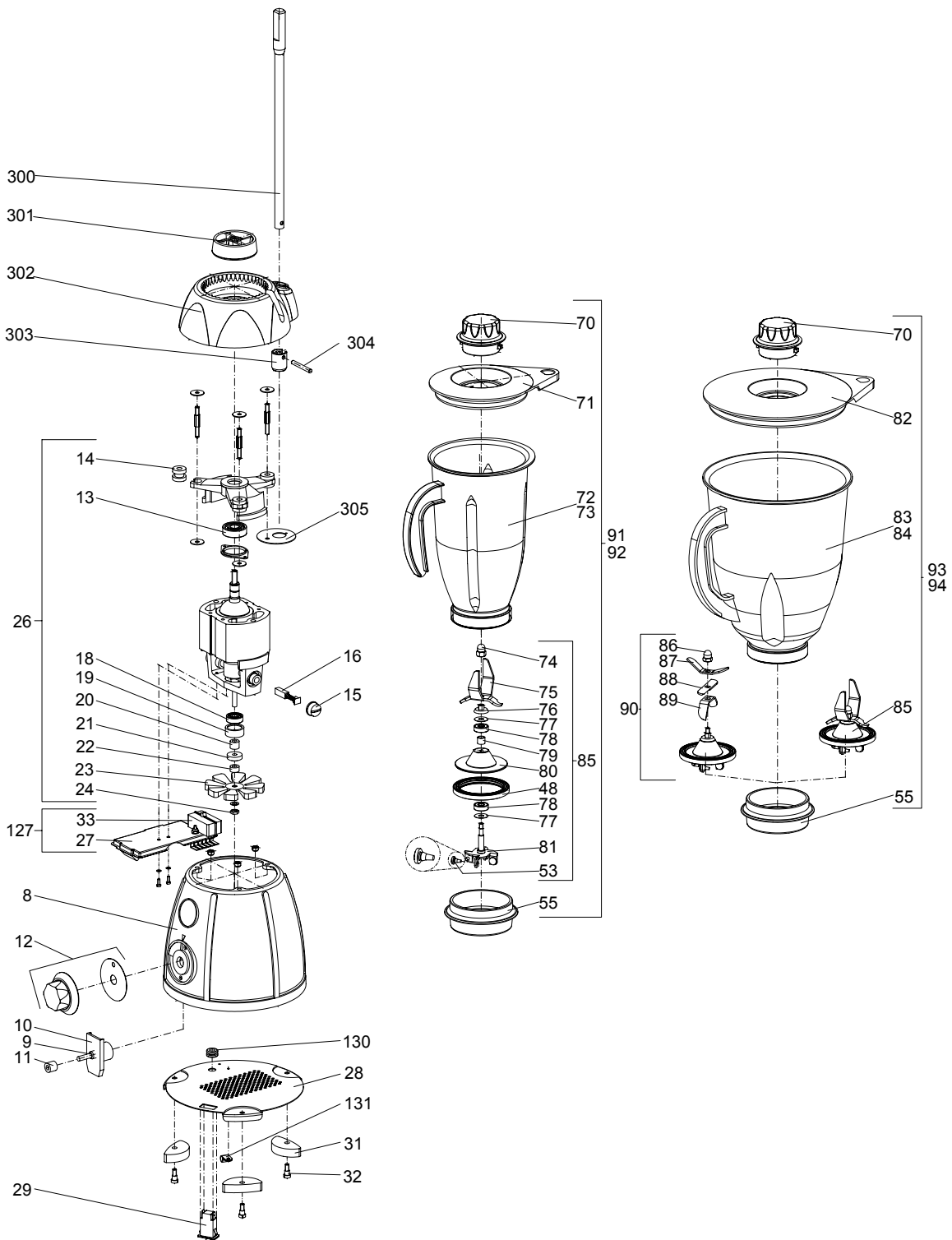
2+4**6****EN**

liste de pièces de détachées
Plan de câblage

2+5**6****FR**

REP-GK900-1127-0-DE-EN-FR

1127.001/002/005/007 **Gastronom GK900 Standmixer**
Gastronom GK900 Blender
Gastronom GK900 Mixer de table



1127.001/002/005/007**Gastronom GK900 Standmixer**

| | | |
|-----|-----------|---|
| 8 | 1120.221 | Gehäuse |
| 9 | 293.30.04 | Potentiometer mit Schalter 250K Ω |
| 10 | 1120.256 | Potentiometerhalter |
| 11 | 1120.257 | Kunststoff-Mutter |
| 12 | 1120.208 | Drehknopf mit Gleitscheibe |
| 13 | 270.43.04 | Kugellager 6201-2Z C3 \varnothing 12/32x10 |
| 14 | 1120.153 | Schwingungsdämpfer |
| 15 | 297.74.03 | Kohlenkappe M14x1 |
| 16 | 297.73.30 | Kohlenbürste H18F7 |
| 18 | 270.40.09 | Kugellager 627-2Z C3 \varnothing 7/22x7 |
| 19 | 1120.123 | Lagerschale |
| 20 | 1120.125 | Distanzhülse \varnothing 6,1/12x9,5 |
| 21 | 299.00.01 | Ringmagnet 8-polig |
| 22 | 1120.124 | Distanzhülse \varnothing 6,1/12x6,5 |
| 23 | 1120.121 | Ventilator |
| 24 | 1120.122 | Spezialmutter M6x0,75 L |
| 26 | 1120.101 | Kollektormotor GT800, 230V, 50Hz |
| 27 | 1120.202 | Elektronik 230V |
| 28 | 1120.223 | Bodenblech |
| 29 | 296.60.01 | Geräteschutzschalter GT800 (4,2A) |
| 31 | 1120.209 | Gummifuss |
| 32 | 1120.224 | Ansatzschraube |
| 33 | 295.40.12 | Netz-Entstörfilter (4A) |
| 48 | 1121.324 | Dichtungsring |
| 53 | 1121.348 | Stossdämpfer \varnothing 10x13 schwarz |
| 55 | 1121.112 | Gewinding |
| 70 | 1123.494 | Deckelverschluss Lexan |
| 71 | 1123.493 | Deckel klein schwarz |
| 72 | 1123.490 | Mixbecher 2L Lexan |
| 73 | 1123.470 | MIX2inox Mixbecher 2L |
| 74 | 1121.363 | Hutmutter h=16mm |
| 75 | 1121.368 | Messer Klinge „HIGH POWER“ |
| 76 | 1121.383 | MK2 Deckscheibe |
| 77 | 1121.384 | MK2 Distanzscheibe \varnothing 7,1/17,9x0,4 |
| 78 | 270.40.14 | Kugellager 607-2RS \varnothing 7/19x6 |
| 79 | 1121.387 | MK2 Distanzhülse \varnothing 7/10x8,3 |
| 80 | 1121.381 | MK2 Messerträger |
| 81 | 1121.380 | MK2 Messerwelle kpl |
| 82 | 1123.496 | Deckel gross schwarz |
| 83 | 1123.497 | Mixbecher 4L Lexan |
| 84 | 1123.480 | MIX4inox Mixbecher 4L |
| 85 | 1121.306 | MK2 Messer kpl „HIGH POWER“ |
| 86 | 1121.326 | Hutmutter h=14mm |
| 87 | 1121.323 | Messer Klinge oben |
| 88 | 1121.366 | Messer Klinge (zwei Schneiden) |
| 89 | 1121.367 | Messer Klinge unten version04 |
| 90 | 1121.304 | MK2 Messer kpl Spezial/Labor |
| 91 | 1123.064 | Mixaufsatz 2L Lexan „HIGH POWER“ |
| 92 | 1123.044 | Mixaufsatz 2L Inox „HIGH POWER“ |
| 93 | 1123.074 | Mixaufsatz 4L Lexan „HIGH POWER“ |
| 94 | 1123.084 | Mixaufsatz 4L Inox „HIGH POWER“ |
| 127 | 1120.212 | Elektronik 230V mit Netz-Entstörfilter |
| 130 | 292.23.01 | Kabeldurchführungsstülpe 230V |
| 131 | 292.20.01 | Rohrschelle HEYCO 3364 |
| 300 | 1127.208 | GK Sicherheitsstange d12mm kpl |
| 301 | 1127.201 | GK Antriebsflansch 22mm |
| 302 | 1127.205 | GK Kopfstück schwarz |
| 303 | 1127.206 | GK Anschlaghülse d16/20x31mm |
| 304 | 2510.840 | Zylinderstift d5h8x40 |
| 305 | 1127.207 | GK Abdeckscheibe d52x1mm |

REP-GK900-1127-0-DE-EN-FR

1127.001/002/005/007

Gastronom GK900 Blender

| | | |
|-----|-----------|--|
| 8 | 1120.221 | housing |
| 9 | 293.30.04 | potentiometer with switch 250KΩ |
| 10 | 1120.256 | potentiometer-holder |
| 11 | 1120.257 | plastic nut |
| 12 | 1120.208 | speed control knob with teflon disk |
| 13 | 270.43.04 | ball bearing 6201-2Z C3 ø12/32x10 |
| 14 | 1120.153 | vibration absorber |
| 15 | 297.74.03 | brush cap M14x1 |
| 16 | 297.73.30 | carbon brush H18F7 |
| 18 | 270.40.09 | ball bearing 627-2Z C3 ø7/22x7 |
| 19 | 1120.123 | bearing shell |
| 20 | 1120.125 | distance sleeve ø6,1/12x9,5 |
| 21 | 299.00.01 | speed sensor magnet |
| 22 | 1120.124 | distance sleeve ø6,1/12x6,5 |
| 23 | 1120.121 | fan |
| 24 | 1120.122 | special nut M6x0,75 L |
| 26 | 1120.101 | motor GT800, 230V, 50Hz |
| 27 | 1120.202 | printed circuit 230V |
| 28 | 1120.223 | base plate |
| 29 | 296.60.01 | protective switch GT800 (4,2A) |
| 31 | 1120.209 | rubber foot |
| 32 | 1120.224 | shoulder screw |
| 33 | 295.40.12 | mains filter (4A) |
| 48 | 1121.324 | gasket |
| 53 | 1121.348 | shock absorber ø10x13 black |
| 55 | 1121.112 | threaded ring |
| 70 | 1123.494 | lid lock Lexan |
| 71 | 1123.493 | bowl lid small black |
| 72 | 1123.490 | bowl 2L Lexan |
| 73 | 1123.470 | MIX2inox bowl 2L |
| 74 | 1121.363 | hex domed nut h=16mm |
| 75 | 1121.368 | cutter blade „HIGH POWER“ |
| 76 | 1121.383 | MK2 cover disc |
| 77 | 1121.384 | MK2 shim washer ø7,1/17,9x0,4 |
| 78 | 270.40.14 | ball bearing 607-2RS ø7/19x6 |
| 79 | 1121.387 | MK2 spacer sleeve ø7/10x8,3 |
| 80 | 1121.381 | MK2 knife holder |
| 81 | 1121.380 | MK2 knife shaft assembly |
| 82 | 1123.496 | lid big black |
| 83 | 1123.497 | bowl 4L polycarbonate |
| 84 | 1123.480 | MIX4inox bowl 4L |
| 85 | 1121.306 | MK2 knife assembly „HIGH POWER“ |
| 86 | 1121.326 | hex domed nut h=14mm |
| 87 | 1121.323 | upper blade |
| 88 | 1121.366 | cutter blade (two edges) |
| 89 | 1121.367 | lower blade version04 |
| 90 | 1121.304 | MK2 cutter assembly Secial/Laboratoy |
| 91 | 1123.064 | container 2L Lexan „HIGH POWER“ |
| 92 | 1123.044 | container 2L Inox „HIGH POWER“ |
| 93 | 1123.074 | container 4L Lexan „HIGH POWER“ |
| 94 | 1123.084 | container 4L Inox „HIGH POWER“ |
| 127 | 1120.212 | printed circuit 230V with mains filter |
| 130 | 292.23.01 | bushing for 230V |
| 131 | 292.20.01 | pipe clamp HEYCO 3364 |
| 300 | 1127.208 | GK security bar d12mm assembly |
| 301 | 1127.201 | GK drive wheel 22mm |
| 302 | 1127.205 | GK Head unit black |
| 303 | 1127.206 | GK arrester bush d16/20x31mm |
| 304 | 2510.840 | dowel pin d5h8x40 |
| 305 | 1127.207 | GK cover disk d52x1mm |

1127.001/002/005/007 Gastronom GK900 Mixer de table

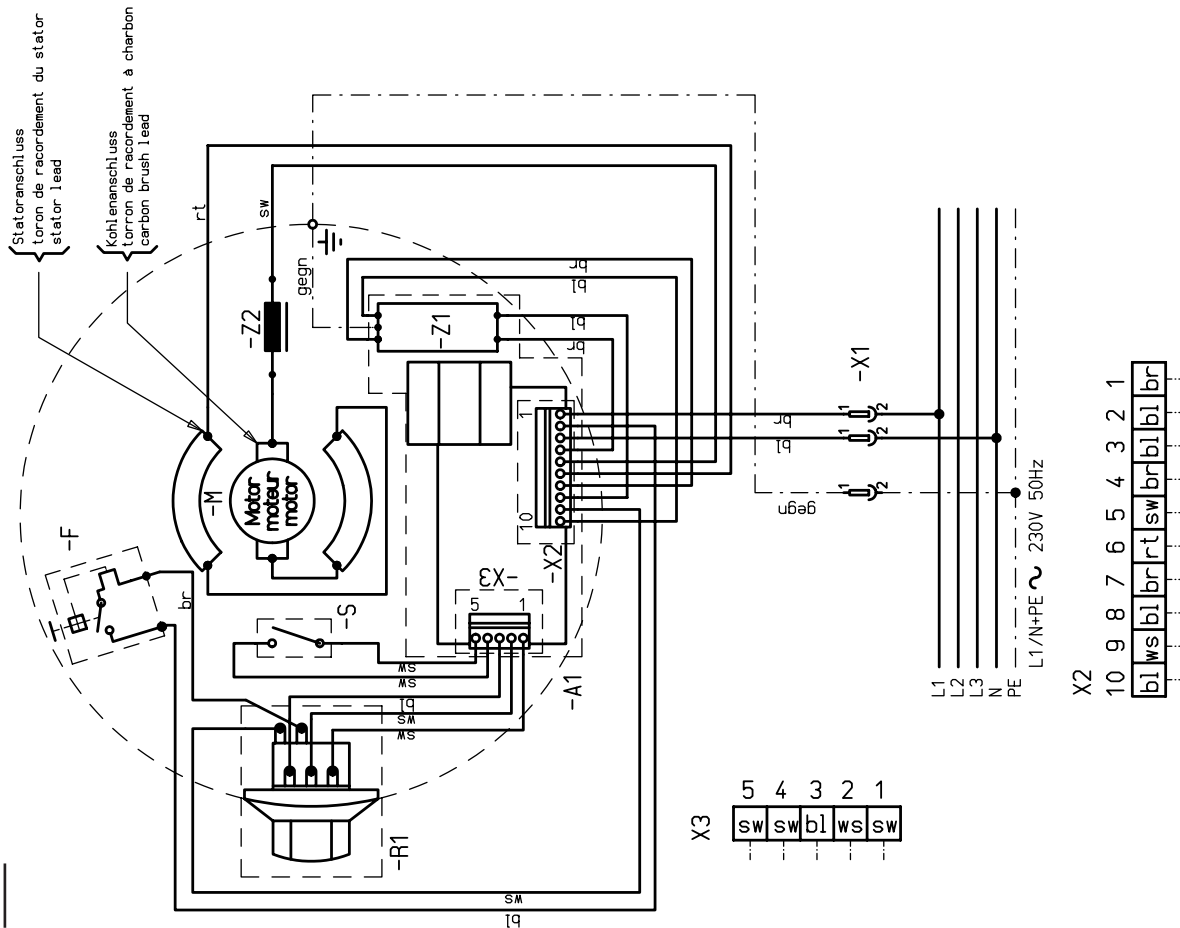
| | | |
|-----|-----------|--|
| 8 | 1120.221 | SUPPORT MOTEUR CHROMÉ |
| 9 | 293.30.04 | POTENTIOMÈTRE INTERRUPTEUR 250KΩ |
| 10 | 1120.256 | SUPPORT POTENTIOMÈTRE |
| 11 | 1120.257 | ÉCROU POTENTIOMÈTRE |
| 12 | 1120.208 | BOUTON DE RÉGLAGE AVEC TÉFLON RONDELLE |
| 13 | 270.43.04 | ROULEMENT A BILLES 6201-2Z |
| 14 | 1120.153 | AMORTISSEUR VIBRATIONS |
| 15 | 297.74.03 | CAPUCHON DE BALAI |
| 16 | 297.73.30 | BALAI CHARBON H18F7 |
| 18 | 270.40.09 | ROULEMENT A BILLES ø7/22x7 |
| 19 | 1120.123 | CACHE ROULEMENT A BILLES |
| 20 | 1120.125 | ENTRETOISE ø6,1/12x9,5 |
| 21 | 299.00.01 | AIMANT TORIQUE 8 PÔLES |
| 22 | 1120.124 | ENTRETOISE ø6,1/12x6,5 |
| 23 | 1120.121 | VENTILATEUR |
| 24 | 1120.122 | ÉCROU SPÉCIAL M6x0,75 L |
| 26 | 1120.101 | MOTEUR GT800, 230V, 50Hz |
| 27 | 1120.202 | CARTE DE COMMANDE 230V |
| 28 | 1120.223 | TÔLE DE FOND |
| 29 | 296.60.01 | DISJONCTEUR GT800 (4,2A) |
| 31 | 1120.209 | PIED CAOUTCHOUC |
| 32 | 1120.224 | VIS A EMBASE |
| 33 | 295.40.12 | FILTRE CEM (4A) |
| 48 | 1121.324 | JOINT DE COUTEAU |
| 53 | 1121.348 | AMORTISSEUR ø10x13 NOIR |
| 55 | 1121.112 | FOND DE CUVE |
| 70 | 1123.494 | COUVERCLE FERMETURE POLYCARBONATE |
| 71 | 1123.493 | COUVERCLE CUVE PETITE NOIR |
| 72 | 1123.490 | CUVE 2L LEXAN |
| 73 | 1123.470 | MIX2INOX CUVE 2L |
| 74 | 1121.363 | ECROU BORGNE H=16mm |
| 75 | 1121.368 | COUTEAU „HIGH POWER“ |
| 76 | 1121.383 | MK2 DISQUE DE RECOUVREMENT |
| 77 | 1121.384 | MK2 RONDELLE D'ÉPAISSEUR ø7,1/17,9x0,4 |
| 78 | 270.40.14 | ROULEMENT A BILLES ø7/19x6 |
| 79 | 1121.387 | MK2 ENTRETOISE ø7/10x8,3 |
| 80 | 1121.381 | MK2 PORTE LAME |
| 81 | 1121.380 | MK2 ENSEMBLE ARBRE LAME |
| 82 | 1123.496 | COUVERCLE CUVE GRANDE NOIR |
| 83 | 1123.497 | CUVE 4L LEXAN |
| 84 | 1123.480 | MIX4INOX CUVE 4L |
| 85 | 1121.306 | MK2 ENSEMBLE COUTEAU „HIGH POWER“ |
| 86 | 1121.326 | ECROU BORGNE H=14mm |
| 87 | 1121.323 | LAME SUPÉRIEURE |
| 88 | 1121.366 | COUTEAU (DEUX LAME) |
| 89 | 1121.367 | LAME INFÉRIEURE VERSION04 |
| 90 | 1121.304 | MK2 ENSEMBLE COUTEAU SPÉCIAL/LABORATOIRE |
| 91 | 1123.064 | MÉLANGEUR 2L LEXAN „HIGH POWER“ |
| 92 | 1123.044 | MÉLANGEUR 2L INOX „HIGH POWER“ |
| 93 | 1123.074 | MÉLANGEUR 4L LEXAN „HIGH POWER“ |
| 94 | 1123.084 | MÉLANGEUR 4L INOX „HIGH POWER“ |
| 108 | 2415.202 | RONDELLE ø3,2/10x0,5 |
| 127 | 1120.212 | CARTE DE COMMANDE 230V AVEC FILTRE CEM |
| 130 | 292.23.01 | GAINE DE CÂBLE 230V |
| 131 | 292.20.01 | BRIDE POUR TUYAUX HEYCO 3364 |
| 300 | 1127.208 | GK ens. barre de sécurité d12mm |
| 301 | 1127.201 | GK roue d'entraînement 22mm |
| 302 | 1127.205 | GK partie supérieure noir |
| 303 | 1127.206 | GK cosse d'arrêt d16/20x31mm |
| 304 | 2510.840 | goupille cylindr. d5h8x40 |
| 305 | 1127.207 | GK rondelle d52x1mm |

REP-GK900-1127-0-DE-EN-FR

EV-GK900-1127.001 Verdrahtungsplan 230-240V Wiring diagram 230-240V Plan de câblage 230-240V

| Benennung | Symbol number |
|---|----------------------|
| A1 Elektronikplatte Circuit imprimé Printed circuit | --- |
| F Geräteschutzschalter Cope circuit miniature Circuit breakers | --- |
| R1 Potentiometer mit Schalter Potentiomètre avec interrupteur Potentiometer with switch | 04-01-07 07-02-01 |
| M Motor, 220-240V/50-60Hz, 800W/500W Moteur électrique Electric motor | 06-05-02 |
| S Reed-Sensor Typ 59025-573 Reed-senseur typ 59025-573 Reed-sensor typ 59025-573 | --- |
| X1 Anschlusskabel mit Stecker Cordon avec fiche Power supply cord with plug | 03-03-03 |
| X2/X3 Anschlussklemme Prinze de courant CLIP board | 03-02-03 |
| Z1 Netz-Entstörfilter Antiparasite Main filter | --- |
| Z2 Steckerdrossel ----- VHF choke for power line | --- |
| L1,2,3 Phasenleiter Fil de phase Phase conductor | EN 60445 |
| N Neutralleiter Conducteur neutre Zero conductor | EN 60445 |
| PE Schutzleiter Fil de Protection Ground | EN 60445 |

| Farbcode IEC304 | | | |
|-----------------|---------|-----------|-----------|
| sw | schwarz | noir | black |
| rt | rot | rouge | red |
| ws | weiss | blanc | white |
| bl | blau | bleu | blue |
| ge | gelb | jaune | yellow |
| br | braun | brun | brown |
| gr | grau | gris | grey |
| vi | violett | violett | orange |
| rs | rosa | rose | violet |
| tk | türkis | turquoise | pink |
| | | | turquoise |



Notizen

ROTOR

Rotor Lips AG
Service
Glütschbachstrasse 91
CH-3661 Uetendorf

Telefon +41 (0)33 346 70 70
Telefax +41 (0)33 346 70 77
service@RotorLips.ch
www.RotorLips.ch