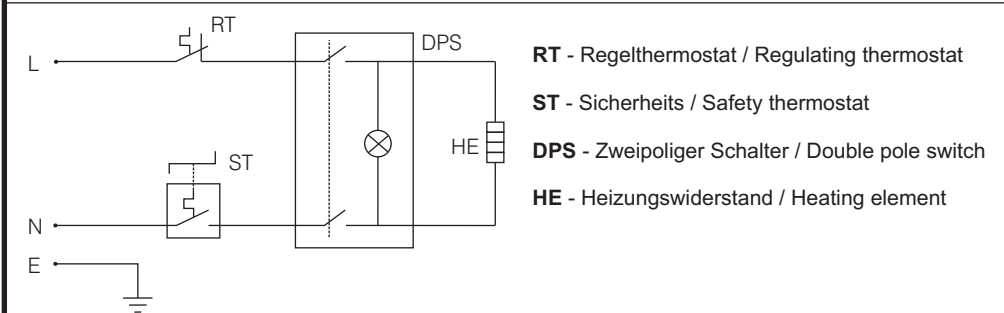
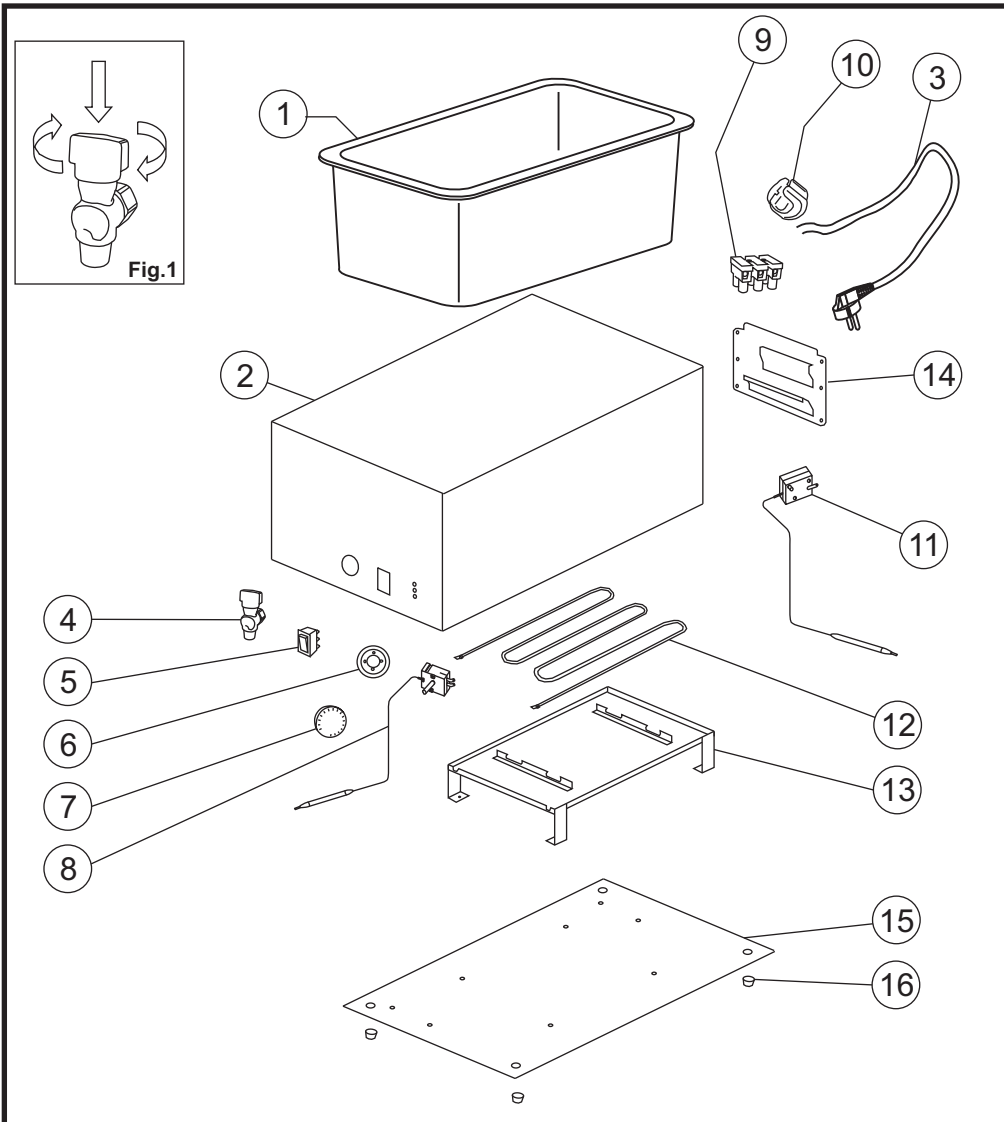


ASM



Mod.	Kapazität Capacity Capacité Capacidad Capacità	Anschlusswert Power/Tension Puissance/Tension Potencia/Tensión Potenza/Tensione
BM 1/1-150	GN 1/1 160 deep	1500W - 230V
BMT 1/1-200	GN 1/1 200 deep	1500W - 230V
BMT 2/1-200	2x GN 1/1 200 deep	3000W - 230V

BAIN-MARIE

Description

- 1 - Tank;
- 2 - Outer case;
- 3 - Power supply cord;
- 4 - Valve;
- 5 - Main switch;
- 6 - Knob accessory;
- 7 - Thermostat knob;
- 8 - Regulating thermostat;
- 9 - Connecting block;
- 10 - Strain relief;
- 11 - Safety thermostat;
- 12 - Heating element;
- 13 - Heating element housing;
- 14 - Technical housing;
- 15 - Bottom cover;
- 16 - Rubber feet.

Attention

- Before you put the appliance working, please read carefully these instructions.
 - Please take off the appliance from the gift box, taking out all the papers that it contains.
 - Please check the appliance perfect look and the functioning after unpacked it.
 - THE BAIN MARIE IS PROTECTED WITH A PLASTIC FILM ENVOLVING THE APPLIANCE'S BODY, WHICH IS NECESSARY TO REMOVE BEFORE THE FIRST UTILIZATION.
 - This product is not for domestic use - it's a professional device and must be operated by trained people.
 - The bains marie must not be shaken or tilted during operation.
 - This product should not be dismantled or altered. It may cause property damage, injury or death.
 - Do not open the outer case of the bains marie - there's the risk of electrical shock.
 - Do not stack the appliance or place things on top of it.
- During the functioning time or immediately after;
- Don't touch the tank or other the parts subjected to temperatures.
 - Keep the appliance away from children.
 - When you finish using the bains marie, switch off the appliance in the main switch and after disconnect from the wall socket.

Installation instructions

- Check if the product is in proper condition.
- The bains marie should be placed in a steady and smooth place.
- Ensure that no flammable vapors or liquids are placed in the vicinity of the device.
- The environmental conditions should not exceed 35°C and 80% humidity.
- Do not connect to an electrical supply that is not suitable for this product.
- Do not install any electricity cut off that does not comply with the safety standards.

Security

- The safety temperature limiting thermostat protects the tank from unsuitable temperatures, in order to avoid accidents by excessively high temperatures. In case it operates, check if there's missing water in the tank or any abnormal situation that may cause overheating. After ensuring a safe operation, press the pin of the safety device to be able to restart operation.
- The valve (**Fig.1**) it is equipped with a device of safety.

Operation Instructions

- Ensure that the bains marie is placed on a horizontal position.
- Fill the tank with water always ensuring a minimum of 25mm from the bottom of the tank. The appropriate water level depends on the height of the pans used, but it should be at a minimum distance of 25mm from the bottom of the pan for an efficient usage.
- Put the pan(s) with food in the tank.
- Connect the appliance to a wall socket with earth connection.
- Turn on the unit using the main switch and select the desired temperature on the thermostat knob.
- When you finish operation, turn OFF the unit in the main switch and unplug it from the electrical supply.
- Wait for the bains marie to cool down to pour out the used water. The models BMT are equipped with a valve to pour out the water.

Maintenance and Clean

- Before making some cleaning operation, disconnect previously the appliance.
- Let the appliance cool down.
- Pour carefully the water.
- Never submerge the device into the water or any other liquid. Use only a wet towel to clean the device. Never use water jet - risk of electrical shock.
- Clean the device and the cable with a wet cloth, but never with abrasive products.

Routine inspection

- Routine inspections should be carried out every day. They can help to avoid accidents.
- Before usage, the bains marie should be checked for any damage on the controls, power cord or tank.
- During operation, it should be checked for any peculiar smells or vibration.

Irregularities and Reparations

- In case of damage of connection to the electric current, don't try to repair it; take the appliance to the authorized Technical Service, once for that is necessary special tools. The same thing is necessary to do, in case of some other irregularity.
- If the power supply cord is damaged, only the manufacturer, authorized agents or qualified people for the job can replace it to avoid dangerous situations.

This appliance fulfils the principles of the Directive 73/23/CEE of Low Tension and the Directive 89/336/CEE of Electromagnetic Compatibility.